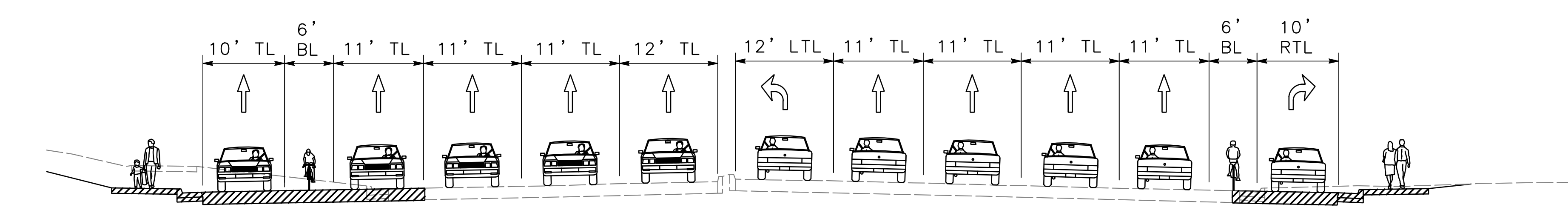
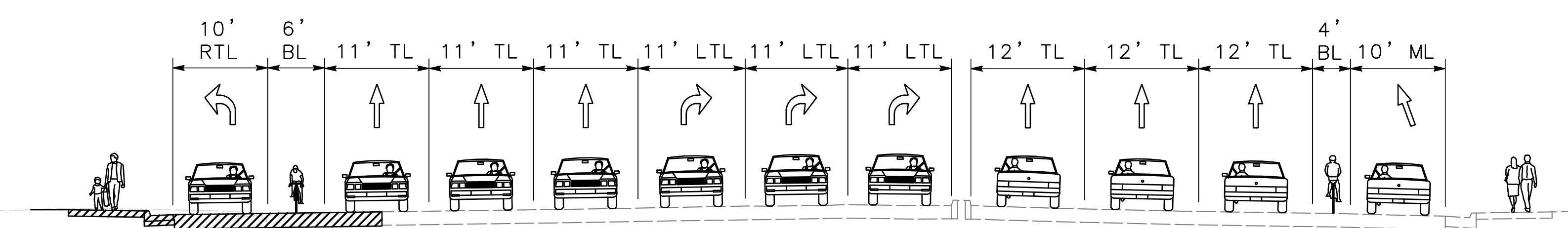


**SECTION B-B WEST OF ROSEVILLE PARKWAY/  
GALLERIA BLVD. INTERSECTION**  
**\*\*LOOKING EAST ON ROSEVILLE PARKWAY\*\***



**SECTION C-C WEST OF ROSEVILLE PARKWAY/  
CREEKSIDE RIDGE DR. INTERSECTION**  
**\*\*LOOKING EAST ON ROSEVILLE PARKWAY\*\***



**SECTION A-A NORTH OF PLEASANT GROVE BLVD./  
ROSEVILLE PARKWAY INTERSECTION**  
**\*\*LOOKING NORTH ON PLEASANT GROVE BLVD.\*\***



- LEGEND & ABBREVIATIONS**
- NEW WIDENING IMPROVEMENTS
  - RTL RIGHT TURN LANE
  - LTL LEFT TURN LANE
  - BL BIKE LANE
  - TL THROUGH LANE
  - ML MERGE LANE

